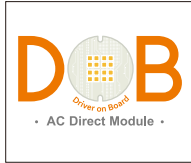


WCED-EM

120V, Emergency Battery Backup

for WCED 3" & 4" Wall and Surface Mount LED Cylinder



Catalog #		Type
Project		Date
Prepared by		



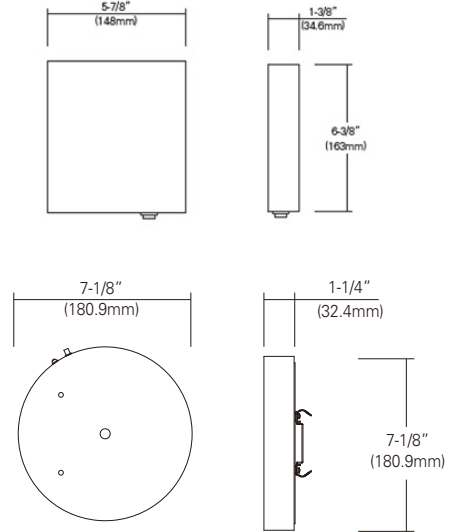
Wall Mounted Assembly

[WCED - WLEM]



Surface Mounted Assembly

[WCED - SFEM]



DESCRIPTION

EM battery back-up for use with the WCED LED cylinder family, wet location rated wall mount style cylinders with down light and up & down light options. This maintenance-free emergency battery back-up unit with rechargeable Ni-MH battery allows for emergency power in exterior applications.

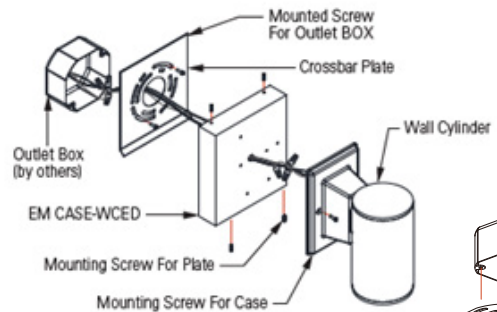
FEATURES and FUNCTIONS

- 120V - 60Hz
- Non-Switch Loads Only (Always On Applications)
- Battery - 11.1V / 2.6Ah Ni-MH Re-chargable; up to 24 hours charge time
- Emergency Output - 20% of nominal power
- Provides over 120 minutes when normal power fails
- LED Indications
 - Red - Charging
 - Green - Fully Charged
 - Yellow - Faulty
- Operating Temperature - 0oC (32°F) to +55°C (+131°F)
- Test Switch / Charging Indicator Light: 4W-ITS (4-wire illuminated test switch) included on 4787EM
- 9W output when in EM mode
- 72lm/W

Installation

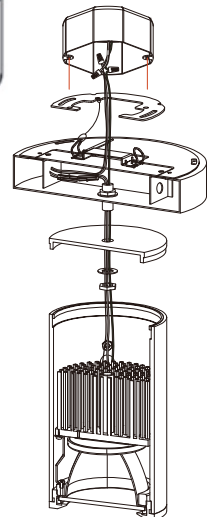
- For use with WCED 3" & 4" Wall Mount LED Cylinders
- One-piece emergency battery back-up unit allowing to junction box mounting

J-Box Mounting



Warranty

- 5years of lamp life.



ORDERING INFORMATION

Housing	Finish
WCED-WLEM Wall Mounted	-BK Black
WCED-SFEM Surface Mounted	-WH White
	-SLV Silver

Example : WCED-WLEM-BK

[] - [] - [] - []